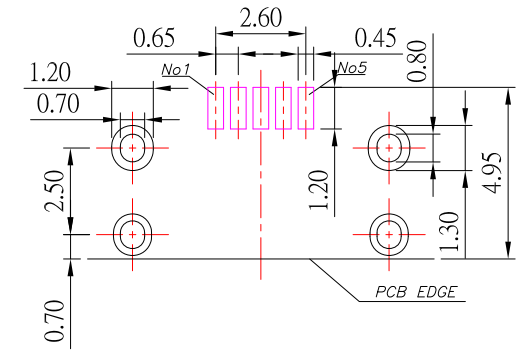
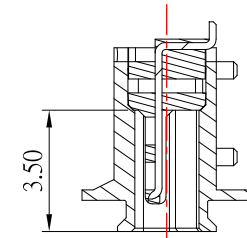
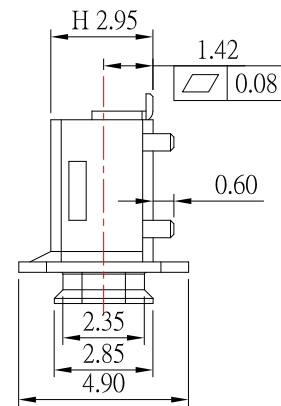
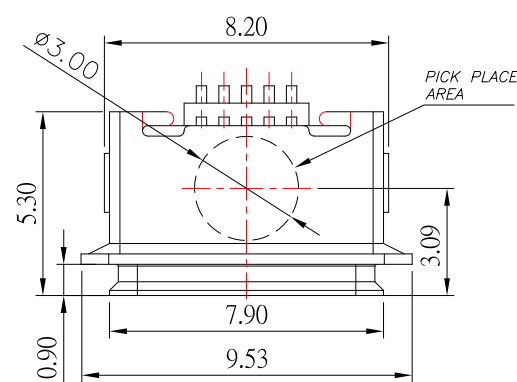
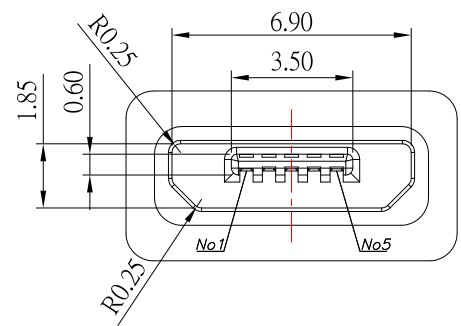


IPX7



P.C.B LAYOUT MOUNTING PATTERN



MRUSB-5B-WP10-x-S382

鍍層厚度:

Blank	: 1u"
2	: 15u"
3	: 30u"

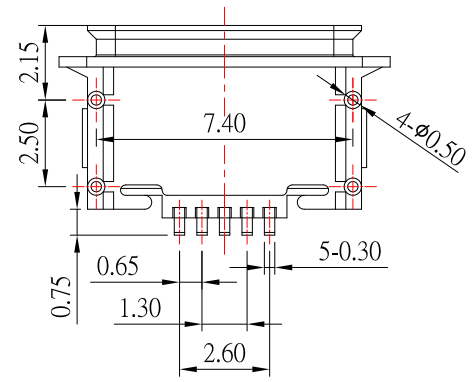
NOTES:

MATERIAL:

- 1.1 HOUSING: HIGH-TEMP
- 1.2 CONTACT: COPPER ALLOY
- 1.3 SHELL: SUS

FINISH:

- 2.1 CONTACT: PLATED GOLD IN MATING AREA ;
GOLD PLATED ON SOLDER BALLS ;
NICKEL UNDER PLATED OVERALL
 - 2.2 SHELL: NICKEL UNDER PLATED SURFACE LAYER
- 3.SPECIFICATION:
- 3.1 RATING: 1.8A(PIN1&5) , 0.5A(PIN2&3&4)
 - 3.2 DIELECTRIC WITHSSTANDING VOLTAGE: 100 VAC
 - 3.3 CONTACT RESISTANCE: 30 mΩ MAX.
 - 3.4 INSULATION RESISTANCE: 1000 MΩ MIN.



CONTACT 建倚科技股份有限公司
CONTACT TECHNOLOGY CORP.

TOLERANCE UNLESS OTHERWISE STATED:
 Up to 5 ±0.2
 Above 5 ~ 15 ±0.3
 Above 15 ~ 30 ±0.4
 Above 30 ~ 50 ±0.5
 Angle ±0.3°

3RD. ANGEL'S

UNITS MM

DRAWN BY:	DATE	MAT'L	TITLE	CONNECTOR
Jack Lu	09/09/20		MODLE	MICRO USB 5PF B TYPE H 2.95 防水型 IPX7
CHECKED BY:	DATE	FINISH	DWG NO.	MRUSB-5B-WP10-x-S382
Jacky Chen	09/09/20		PART NO.	MRUSB-5B-WP10-x-S382
APPROVED BY:	DATE	SCALE	SHEET NO.	SIZE
Tony Kao	09/09/20	1 : 1	1 of 2	A4
				VER
				R3

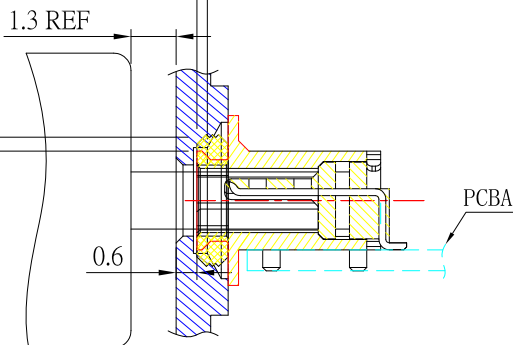
ITEM NO.	DESCRIPTION	DRAWN	DATE
3	新增O-RING料號	Jack	090920
2	更新圖面	Jack	090820
1	更新圖面	Jack	051418

IPX7

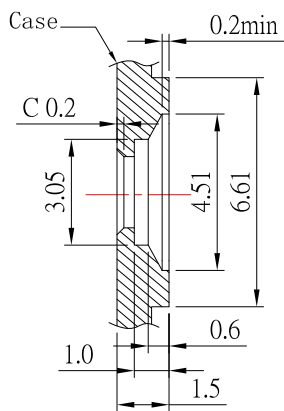
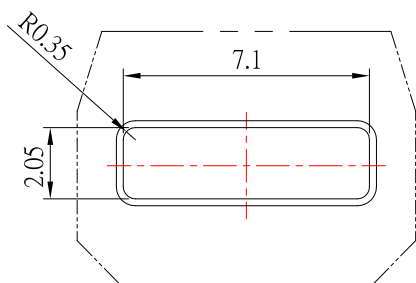
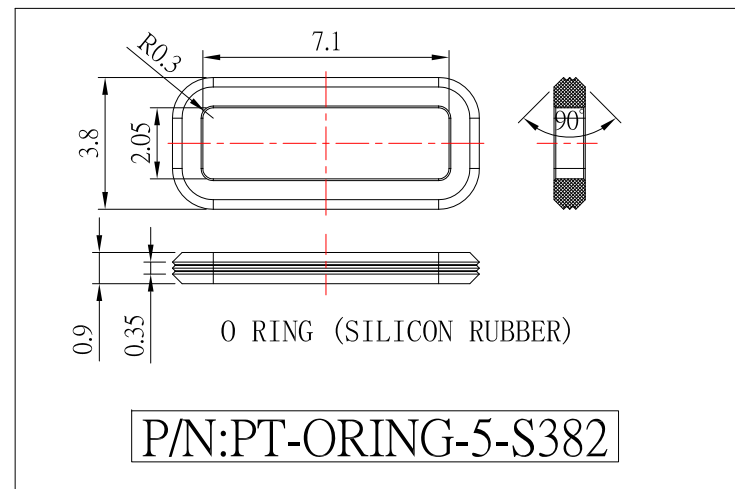


機殼面板對密封圈
為縮量0.40Min

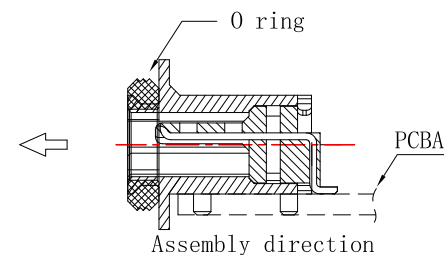
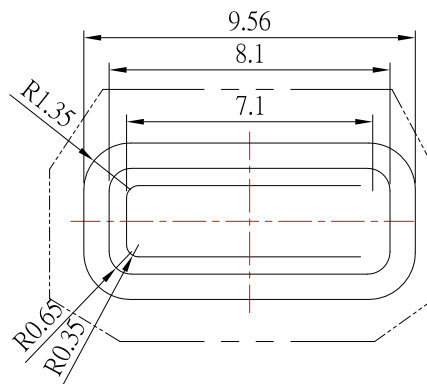
機殼面板對密封圈為縮量0.30Min
(建議壓縮量為密封圈直徑大小40~50%)



COMPRESSION RATIO TO BE 40%~50%



RECOMMENDED OPEN DIMENSION OF CASE



ITEM NO.	DESCRIPTION	DRAWN	DATE
3	新增O-RING料號	Jack	09/09/20
2	更新圖面	Jack	09/08/20
1	更新圖面	Jack	05/14/18

CONTACT 建倚科技股份有限公司
CONTACT TECHNOLOGY CORP.

TOLERANCE UNLESS OTHERWISE STATED:

Up to 5 ±0.2
Above 5 ~ 15 ±0.3
Above 15 ~ 30 ±0.4
Above 30 ~ 50 ±0.5
Angle ±0.3°

3RD. ANGEL'S



UNITS

MM

DRAWN BY:	DATE	MAT'L	TITLE	CONNECTOR
Jack Lu	09/09/20		MODLE	MICRO USB 5PF B TYPE H 2.95 防水型 IPX7
CHECKED BY:	DATE	FINISH	DWG NO.	MRUSB-5B-WP10-x-S382
Jacky Chen	09/09/20		SHEET NO.	2 of 2
APPROVED BY:	DATE	SCALE	PART NO.	MRUSB-5B-WP10-x-S382
Tony Kao	09/09/20	1 : 1		

SIZE
A4
VER
R3